

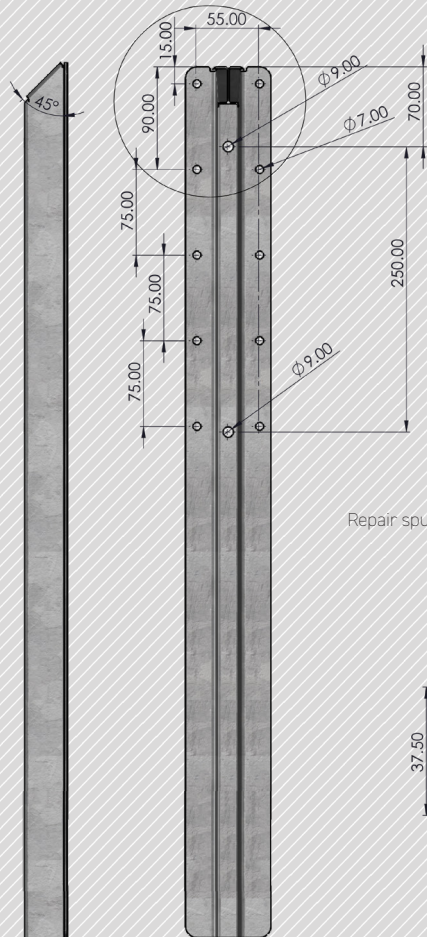
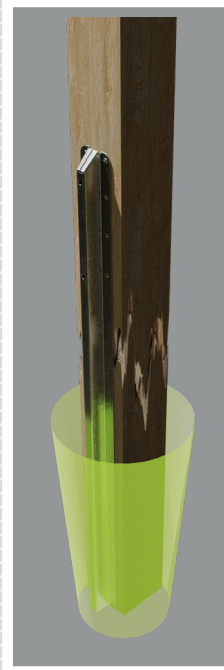
FENCEMATE® REPAIR SPUR



DESCRIPTION

Manufactured from 2.5mm hot-dip galvanised cold-rolled steel, the newly designed FENCEMATE repair spur is the perfect solution for ground level cracks and breaks in fence posts. A unique metal profile ensures the repair spur is strong, easy to install and designed to prevent further damage to timber posts.

- Unique metal profile provides maximum strength.
- Slimline profile makes it easier to dig around and secure the post.
- Varied hole spacing provides flexibility when fixing the repair spur.
- Flexes to absorb the load, preventing further damage from occurring.



Repair spur length: 1 metre

FINISH

The FENCEMATE repair spur is finished with hot dip galvanisation.

RECOMMENDED SCREWS



M6 x 60 Rustpert Silver SITEMATE Countersunk Powerpro Timber Screw



70mm SITEMATE Wafer Head Timber Screws



70mm SITEMATE Hex Head Timber Screws



M8 x 150 SITEMATE Cup Square Hex Bolts and Nuts



M8 x 160 SITEMATE Roofing Bolts and Nuts

